

## AQUABEAM DIVERS HELMET LIGHT DHL-2



DHL-2 is a hard anodized and marine sealed, aluminium luminaire, offering a variety of build options, beam angles and colour temperatures.

In its standard form, it weights 500 grams dry and 185 grams immersed. Its maximum diameter is 60 mm and overall length, excluding connector, 101 mm. The maximum operating depth of the DHL-2 is 700 meters. All components are available as spare parts.

**Build Options:**

**Luminaire:** DHL-2/C with fixed reflector (to accommodate halogen capsules.) Or DHL-2/R accommodating dichroic reflector lamps.

**Lens:** Clear Or Frosted.

**Mounting:** M6 Threaded spigot with nut. Or Threaded socket with bolt, 0.312 ins. Whit. (to mate with dovetail bracket assembly.) Sockets to other dimensions and threads supplied to order.

The universal helmet bracket depicted is primarily designed for fixing to the current, Kirby Morgan range of helmets and faceplates but with minor modification, may be attached to most helmets and full face masks. The bracket is fashioned from 0.060" (1.5 mm) stainless steel sheet and may be hand bent for orientation of the luminaire.

**Cable Penetration:** In-line Or 90°.

**Connector:** Short cable terminating in ARMG-3-MP Or other in-line connector specified by customer. Or Bulkhead connector (any with 7/16 or 1/2 inch UNF male thread.) Or Cable only (length as required). Or Long cables terminating in connector to customer's instructions.

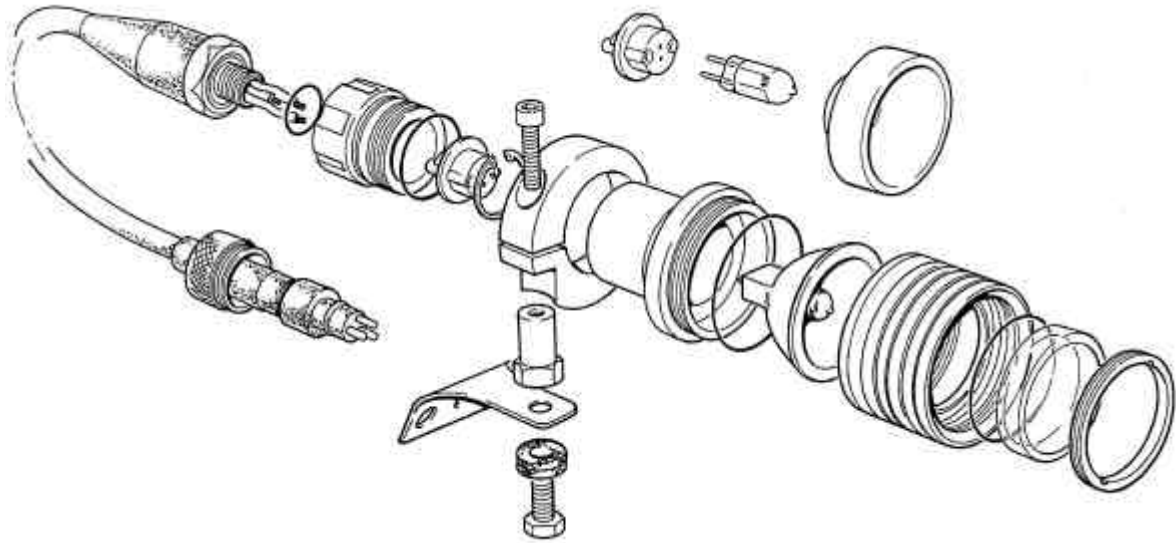
Reflector lamps for DHL-2/R				
Order Code	Volts/Watts	Life (hours)	Avg. color temp. °K	Beam angle (immersed)
M 190	12V/20W	2000	2925	50°
BAB	12V/20W	2000	2925	27°
ESX	12V/20W	2000	2925	9°
M324	12V/35W	2000	2925	50°
FNV	12V/50W	3000	3050	45°
EXN	12V/50W	3000	3050	29°
EXT	12V/50W	3000	3050	10°
M98	12V/75W	2000	3050	50°
EYC	12V/75W	3500	3050	29°
EYF	12V/75W	3500	3050	11°
EXV*	12V/100W	50	3350	38°
M58	24V/50W	2000	3050	29°
EWf	24V/200W	50	3300	38°
EKP	30V/80W	25	3350	30°
ELC	24V/250W	50	3400	27°
EXS*	30V/200W	50	3350	30°

\* Lamps designed for T.V.

Lamp capsules for DHL-2C			
Order code	Volts/Watts	Life (Hours)	Color temp (°K)
M28	12V/100W	2000	2850
M67	24V/100W	2000	2850
A1/216	24V/150W	50	3400



## AQUABEAM DIVERS HELMET LIGHT DHL-2



### DHL-2 Components

Index	Description	Part Code
1	Lense Retaining Ring	DH01
2	Lense Clear	DH02
	Lense Frosted	DH03
3	O'Ring-lense	DH04
4	Bezel	DH05
5	Reflector lamp	See List
6	O'Ring-body	DH06
7	Body	DH07
8	Body Clamp	DH08
9	Screw-Body Clamp	DH09
10	Stand-Off-Clamp	DH10
11	Washer-Bracket	DH11
12	Screw-Bracket	DH12
13	Helmet Bracket	SH S
14	Circlip	DH13
15	Lampholder Assembly-Reflector Lamp	DH14
16	O'Ring-Afterbody	DH15
17	Afterbody	DH17
18	O'Ring-Penetrator/Connector Assy	DH18
19	Penetrator Connector Assembly	DH19
20	Lamp Capsule	See List
21	Fixed Reflector	DH20

