

The Hytech Lumiled bunklight is a hermetically sealed light source, which is suitable for use as a personal reading-lamp inside hyperbaric chambers, such as diver decompression chambers and hyperbaric oxygen treatment chambers.

They can also be used as emergency lights inside habitats, diving bells etc. The Lumiled has a very low power consumption, which makes it especially useful if it has to work on battery power.

The light output is the equivalent of a 20W Halogen light, but it will not get very warm. It works on a low voltage, and is completely sealed and pressure-proof. Therefore it is a safe light source for use in hyperbaric conditions.

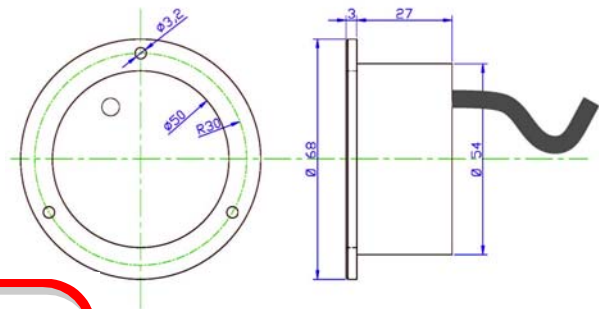
The Lumiled should be used with a special power supply unit. This unit will ensure maximum life span and reliability of the Lumiled.



The Lumiled lens with mounting flange

Specifications:

Input power supply unit	12-30 VDC
Output power supply unit	10.3 VDC 30-350 mA adjustable
Power consumption	3.6 W maximum
Light Color	5500°K (daylight)
Light Angle:	Approx. 45°
Light output:	Approx. 40 LUX at 1m (equivalent 20W Halogen)



Compact unit with high light output

